

ELEVATION PROGRAMMING PROCEDURES

ELEVATION PROGRAMMING MODE FOR ONE LIGHT BOX

This procedure must be performed when the system is first installed or if the elevation actuator is replaced.

- 1) Connect light box to power (115VAC)
- 2) Disconnect low voltage wires from both of the PT-8 circuit board SIO 2 phone jacks (See Figure A)
- 3) Connect Master Panel blue jumper clip to both prongs on PT-8 circuit board (See Figure A)
- 4) Plug Master Control Display Panel into either of the open SIO 2 phone jacks
- 5) From the Master Control Display Panel enter:

“3”, “1”

“1”, “2”, “3”, “4”

“2”, “0”, “1”

“Rent A”

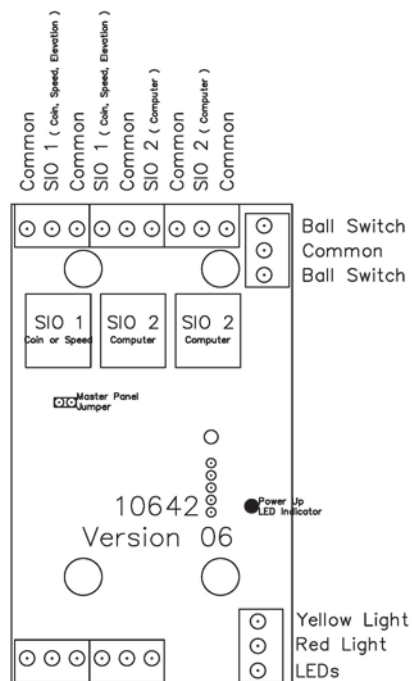
“1”, “0”, “1”

“Rent B”

“Send”

Your light box is now in Elevation Programming Mode, the Red & Yellow LED lights on Light Box should be flashing. Proceed to Elevation Programming Instructions.

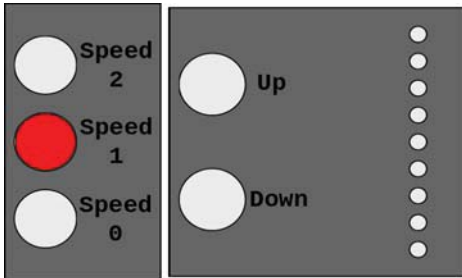
FIGURE A



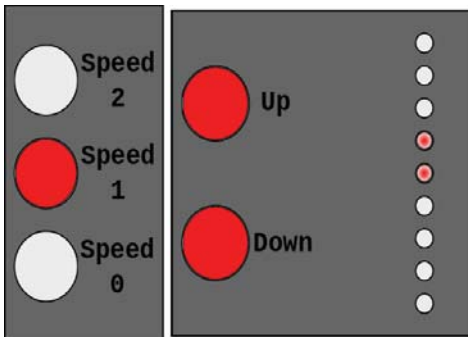
ELEVATION PROGRAMMING PROCEDURES

ELEVATION PROGRAMMING PROCEDURE FOR ONE LIGHT BOX

1) Select the speed you want to configure elevation for



2) Press the “Down” button and while holding the “Down” button press the “Up” button, then release both buttons. Elevation buttons will turn solid and the elevation height position lights will flash., and pitching machine will start.



3) Wait 5 seconds. **“Balls will begin to pitch”**

Adjust the pitching height by pressing the “Up” or “Down”

Continue cycling the appropriate button to achieve the desired height

When making adjustment, disregard indicator light position. If height indicator light goes to top or bottom, continue to press button to desired height*

Note: Any interruption in the adjustment process will cause the balls to stop pitching. Wait 5 seconds and balls will begin pitching. Continue program sequence

4) Repeat steps 1-3 to program elevation for each speed. Otherwise proceed to step 5

5) Press “Start” button twice to exit programming mode