

PINCH ROLLER SPLIT COLLAR ATTACHMENT

Before mounting your new Pinch Roller Wheel, verify that the 1/2" clamp on collar "split" is aligned with the split on the Pinch Roller Wheel shaft (Refer to Figure A).

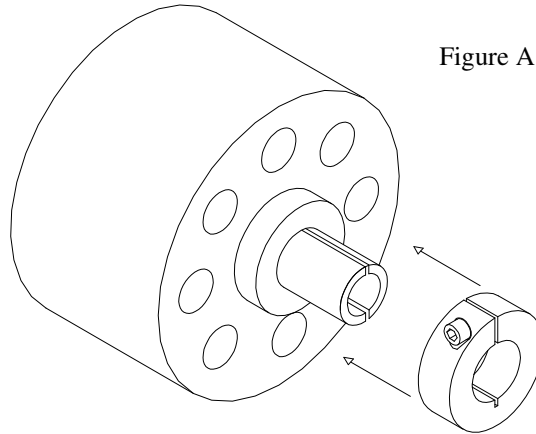


Figure B diagram denotes the Correct attachment of the split Collar. **NOTE:** Be sure to place the split collar at the edge of the Pinch Roller shaft for proper Attachment.

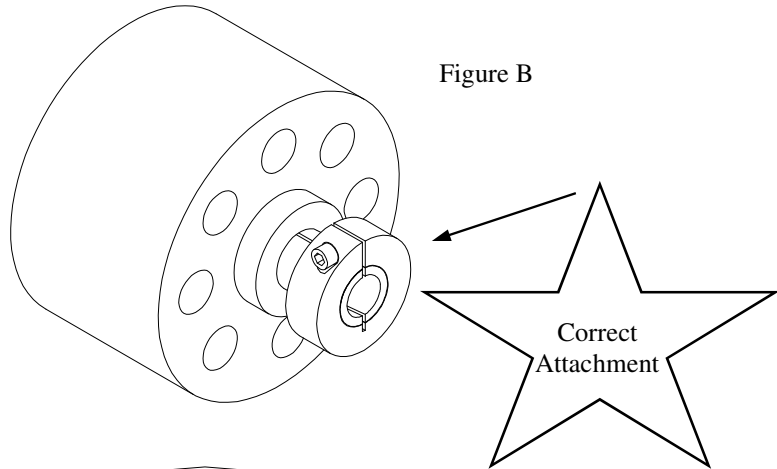


Figure C diagram denotes an improper split collar attachment. **NOTE:** By sliding the collar too close to the wheel base and not lining up the split collar properly, this will cause the collar to not squeeze and lock down on the motor shaft.

